

# 3.00mm(.118") Wire To Wire And Wire To Board Connector

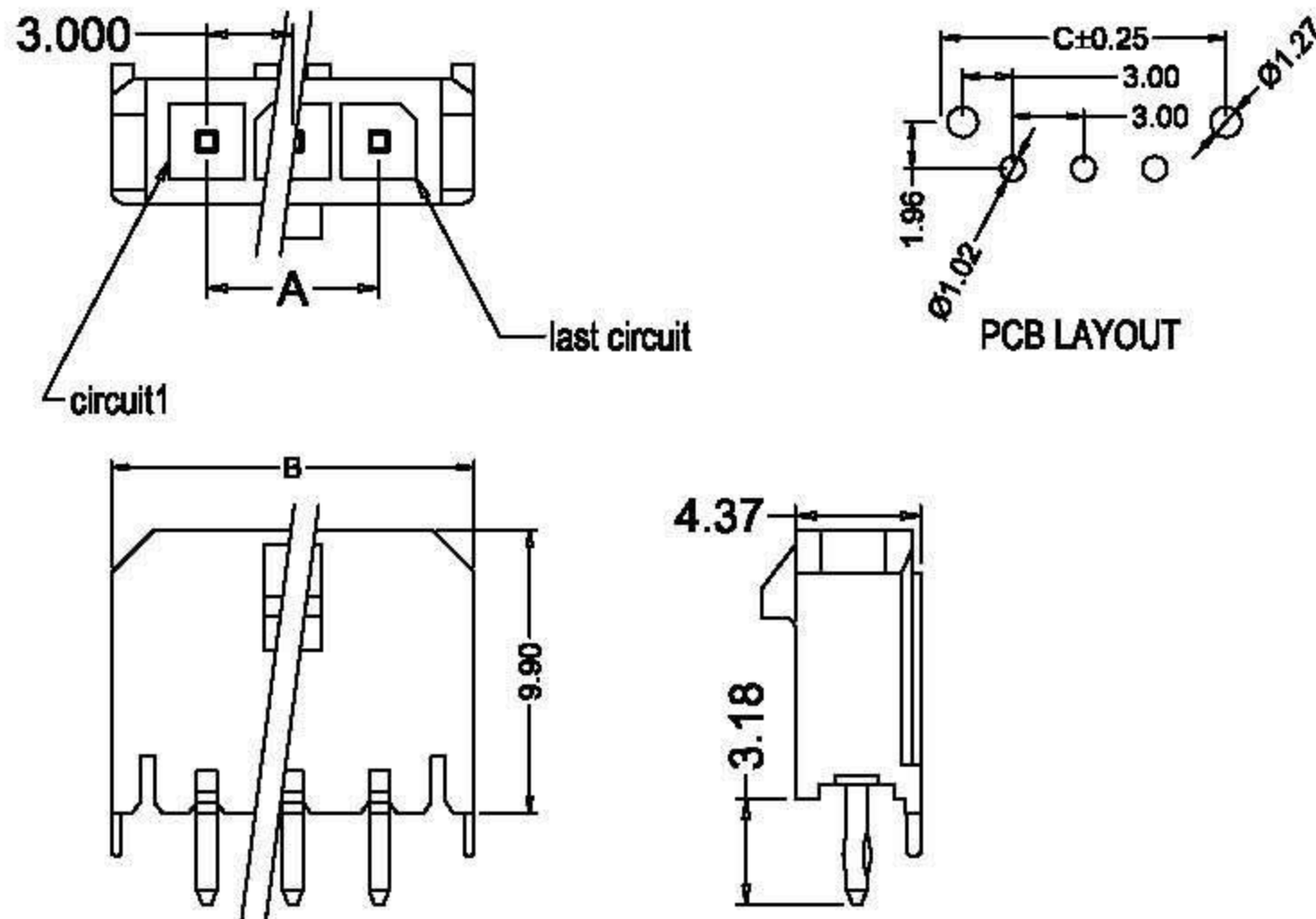
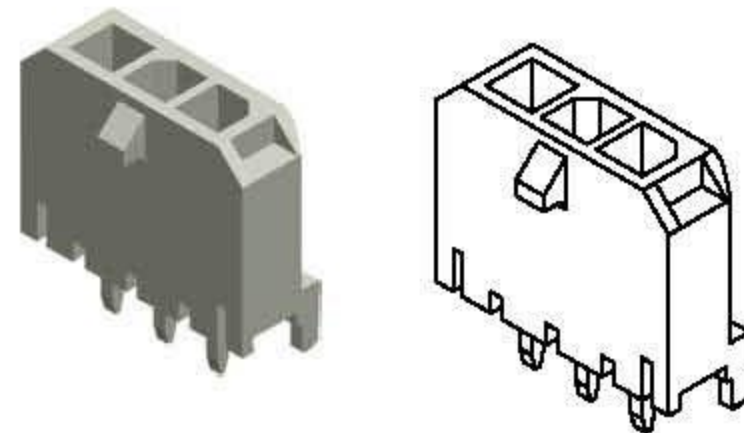


Shenzhen Hongru Connector Co., Ltd

Email: yukyli@hrb-connector.com  
 Tel: 86-0755 2709 6669  
 Fax: 86-0755 2709 2392  
 Skype: haiyuncheng-vivian  
 Mobile(whatsapp): 86-186 8112 3590  
 Website: http://www.hrb-connector.com

## SPECIFICATIONS:

- Current Rating: 5A AC, DC
- Voltage Rating: 250V AC, DC
- Operating Temperature: -40°C ~ +130°C
- Contact Resistance: 10mΩ max.
- Insulation Resistance: 1000MΩ Min.
- Withstanding Voltage: 1500V AC/minute
- Material: Housing: Nylon46 UL94V-0  
 Pin: Brass, Tin Plated
- Mate With: P3025 Series
- Housing And Pin Retention Force Requirement: 2.0 kg (Min.)



## Ordering Information And Dimensions

Part NO.		Dimensions			Part NO.		Dimensions		
TYP UL94V-0	Circuits	Dim:A	Dim:B	Dim: C	TYP UL94V-0	Circuits	Dim:A	Dim:B	Dim:C
M3045-1x2-B	2	3.00	9.00	12.00	M3045-1x8-B	8	21.00	27.00	30.00
M3045-1x3-B	3	6.00	12.00	15.00	M3045-1x9-B	9	24.00	30.00	33.00
M3045-1x4-B	4	9.00	15.00	18.00	M3045-1x10-B	10	27.00	33.00	37.00
M3045-1x5-B	5	12.00	18.00	21.00	M3045-1x11-B	11	30.00	37.00	40.00
M3045-1x6-B	6	15.00	21.00	24.00	M3045-1x12-B	12	33.00	40.00	43.00
M3045-1x7-B	7	18.00	24.00	27.00					

